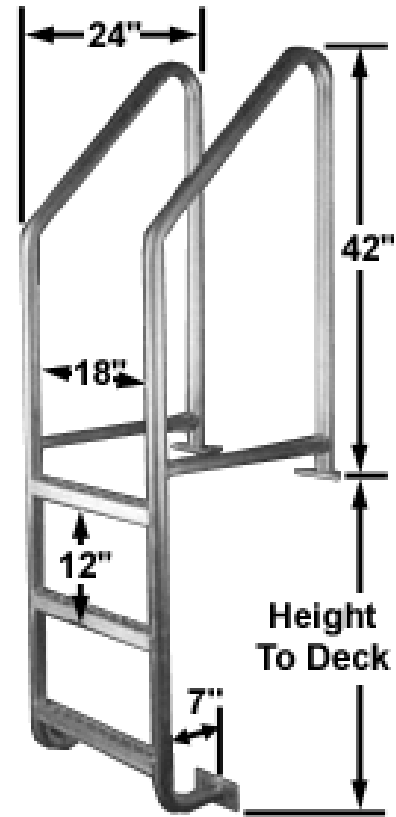


DOCK LADDERS

Safety Every Step of the Way

Special Features

- Can be installed at dock and loading areas or off-the-floor levels in your plant or shop.
- Safe and easy climbing with 2" deep x 19" wide rungs.
- Handrail extends 42" above the dock.
- Offset 7" for ample toe clearance; cross braced for extra stability.
- Complete with deck foot flange anchor pads for permanent and secure installation.
- Mounting holes are 9/16" diameter.



Dock ladder available in aluminum or steel.

Aluminum	Height to Dock	Number of Steps
BE1101	30 9/16"	3 STEP
BE1102	42 9/16"	4 STEP
BE1103	54 9/16"	5 STEP
BE1104	66 9/16"	6 STEP
BE1105	78 9/16"	7 STEP
BE1106	90 9/16"	8 STEP
BE1107	102 9/16"	9 STEP
BE1108	114 9/16"	10 STEP

Steel	Height to Dock	Number of Steps
BB1101	30 9/16"	3 STEP
BB1102	42 9/16"	4 STEP
BB1103	54 9/16"	5 STEP
BB1104	66 9/16"	6 STEP
BB1105	78 9/16"	7 STEP
BB1106	90 9/16"	8 STEP
BB1107	102 9/16"	9 STEP
BB1108	114 9/16"	10 STEP

Meets OSHA requirements.



Bustin Serrated Safety Step Bar for self-cleaning and slip-resistance

Ask about our other products: Firm-Grip™ Gratings ♦ Industrial Work Platforms ♦ Truck and Trailer Accessories.



BUSTIN INDUSTRIAL PRODUCTS, Inc.

www.bustin-usa.com

info@bustin-usa.com

Tollfree: (800) 933-5166

Phone: (570) 424-6500

Fax: (570) 424-6453

ISO 9001:2000 REGISTERED